



Models: SMT9Q

SMT9Q Owner's Manual

THE SMT9Q HAS IT ALL --BIG POWER HANDLING, BIG PROJECTION, COMBINE WITH "ULTRA HI-DEFINITION SOUND". IT'S UNIQUE DESIGN OFFERS SUPERIOR PERFORMANCE IN A ENCLOSURE THAT IS STILL MANAGEABLE AND COMPACT. THE EXILE SOUND QUALITY, FORM FACTOR, POWER HANDLING AND FIT AND FINISH ARE UN-MATCHED BY

ANYTHING AVAILABLE ON THE MARKET TODAY. THE SMT9Q INCLUDES A PATENTED STAINLESS STEEL "QUICK RELEASE / ROTATIONAL" CLAMPING SYSTEM THAT CAN DIRECT SOUND A FULL 360 DEGREES AND FITS VIRTUALLY ANY BOAT TOWER.

SMT9Q CONTENTS: 2 SPEAKERS / 2 CLAMPS AND MOUNTING HARDWARE

POWER HANDLING: 200W RMS / 400W PEAK

TWEETER: 26MM TITANIUM DIAPHRAGM

EFFECTIVE CONE AREA: 44.65" SQ. (EQUIVALENT TO 9.1" MID)

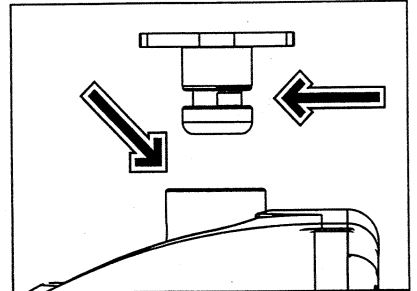
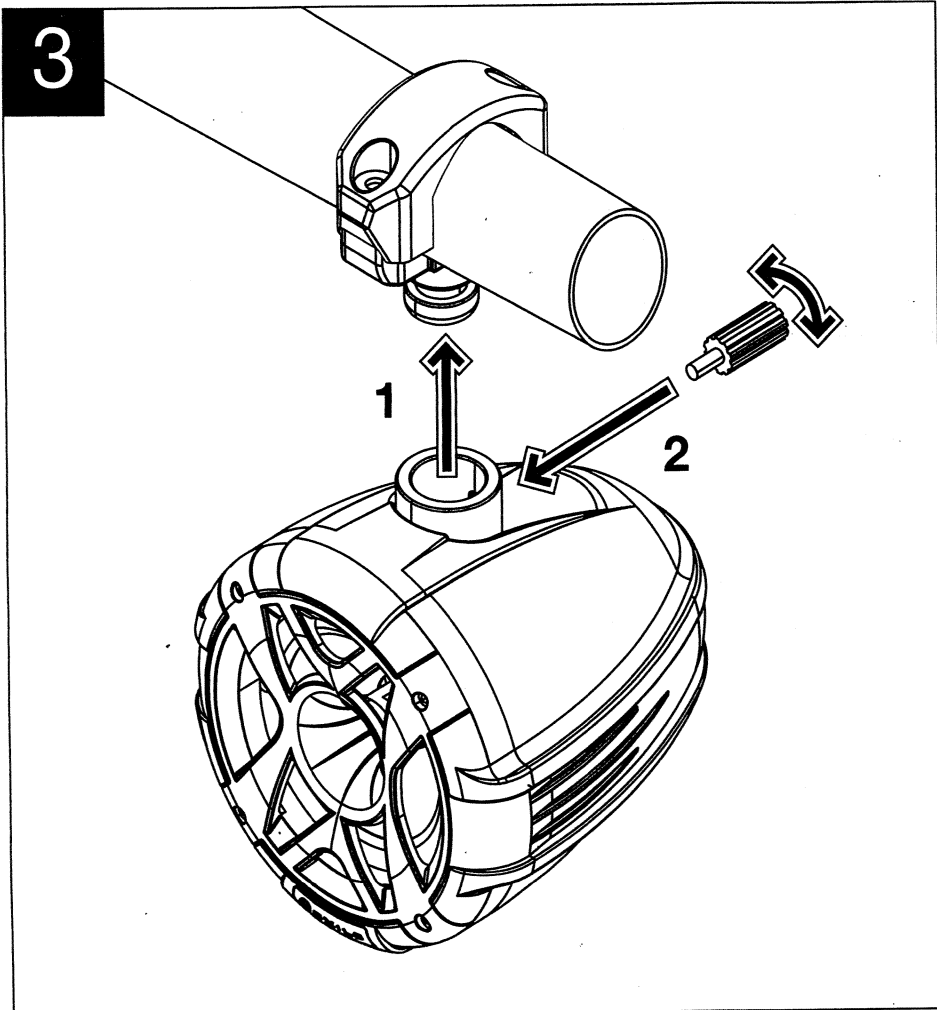
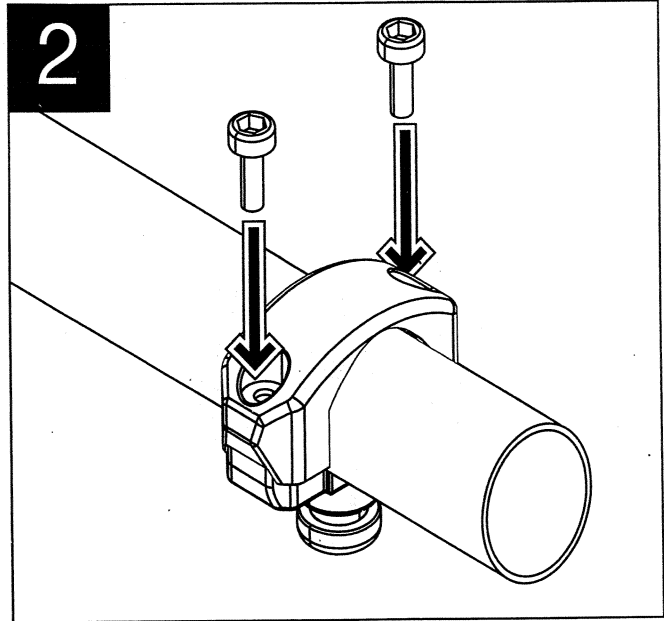
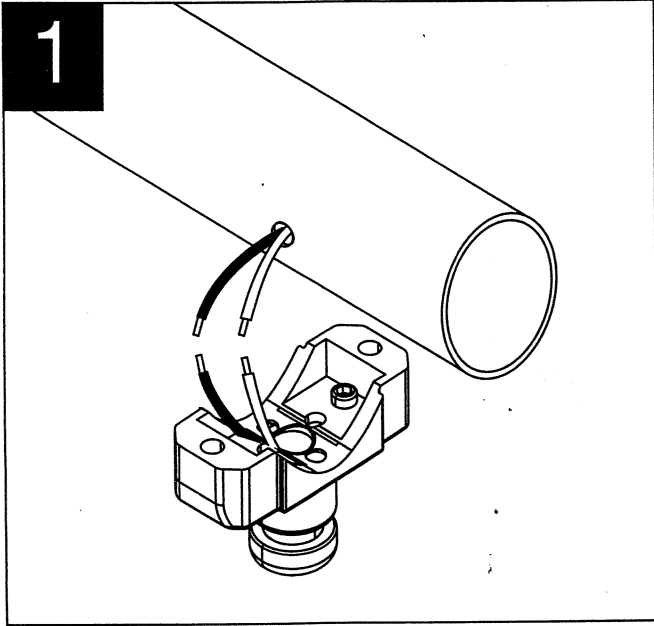
CLAMP TO TOWER FIT: 1 7/8" TO 3.0"

**DIRECT CAST TOWER MOUNT APPROVED BOATS*: MALIBU, ILLUSION X, XS, TIGÉ ALPHA TOWER, AND CENTURION (LOW PROFILE MOUNT)
* ADDITIONAL ADAPTOR REQUIRED - SOLD SEPARATELY**

U.S. PATENT # 6,798,892 B2

**FEATURES: STAINLESS STEEL CLAMPS
INJECTION MOLDED POLYPROPYLENE CONE
WEATHER PROOF RUBBER SURROUND
UNI-MOUNT CHASSIS ASSEMBLY
ADJUSTABLE COMPOSITE GRILLS.**

TUBE TOWER INSTALLATION GUIDE



"BRACKET MAINTENANCE AND LUBRICATION:

Male and Female mounting posts come pre-lubricated from the factory. However, over a long period of time you may need to reapply a thin coat of Vaseline® to ensure smooth rotation and installation. Do NOT put Vaseline® on the audio connector."

CAST TOWER INSTALLATION GUIDE

