



Models: S9HD

S9HD Owner's Manual

THE S9HD HAS IT ALL --BIG POWER HANDLING, BIG PROJECTION, COMBINE WITH "ULTRA HI-DEFINITION SOUND". IT'S UNIQUE DESIGN OFFERS SUPERIOR PERFORMANCE IN A ENCLOSURE THAT IS STILL MANAGEABLE AND COMPACT. THE SAMSON SPORTS SOUND QUALITY, FORM FACTOR, POWER HANDLING AND FIT AND FINISH ARE UN-

MATCHED BY ANYTHING AVAILABLE ON THE MARKET TODAY. THE S9HD INCLUDES A PATENTED "QUICK RELEASE / ROTATIONAL" CLAMPING SYSTEM THAT CAN DIRECT SOUND A FULL 360 DEGREES AND FITS VIRTUALLY ANY BOAT TOWER.

S9HD CONTENTS: 2 SPEAKERS / 2 CLAMPS AND MOUNTING HARDWARE

POWER HANDLING: 250W RMS / 500W PEAK

TWEETER: 26MM TITANIUM DIAPHRAGM

EFFECTIVE CONE AREA: 44.65" SQ. (EQUIVALENT TO 9.1" MID)

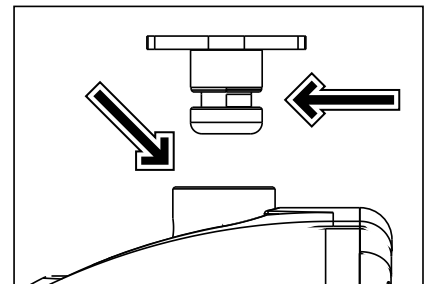
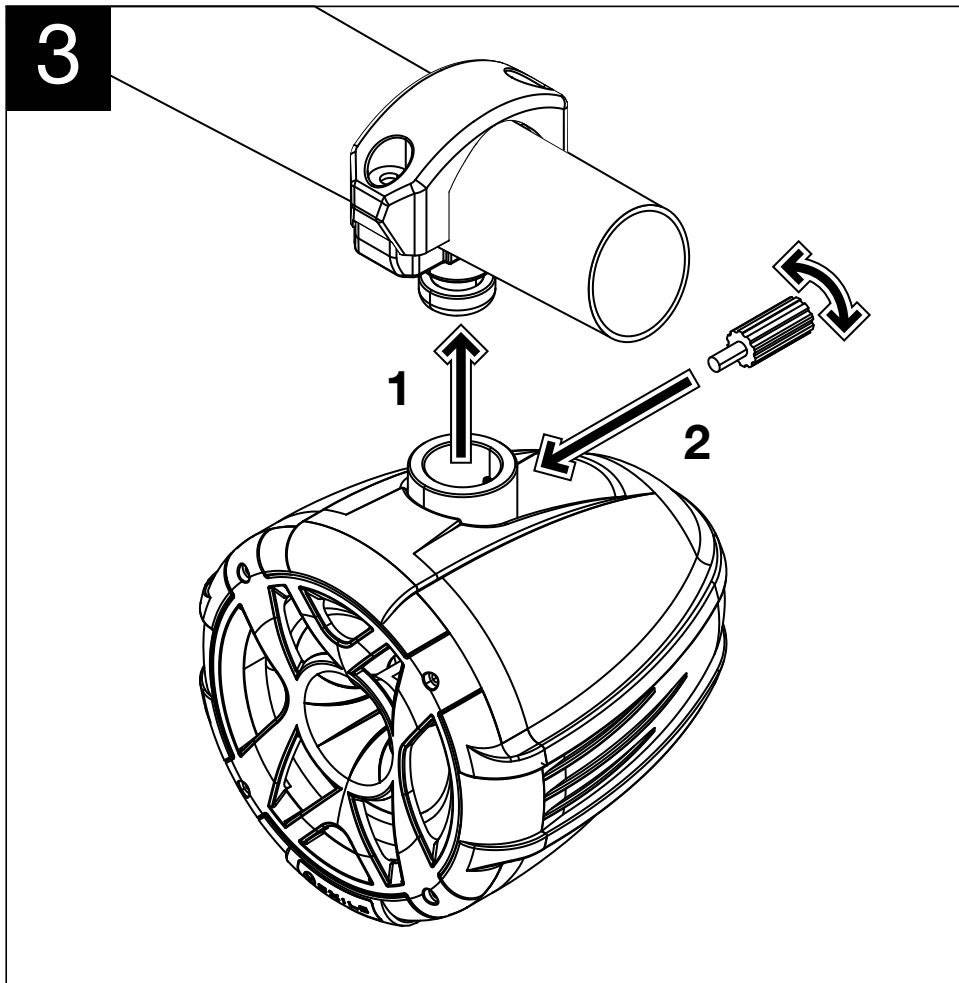
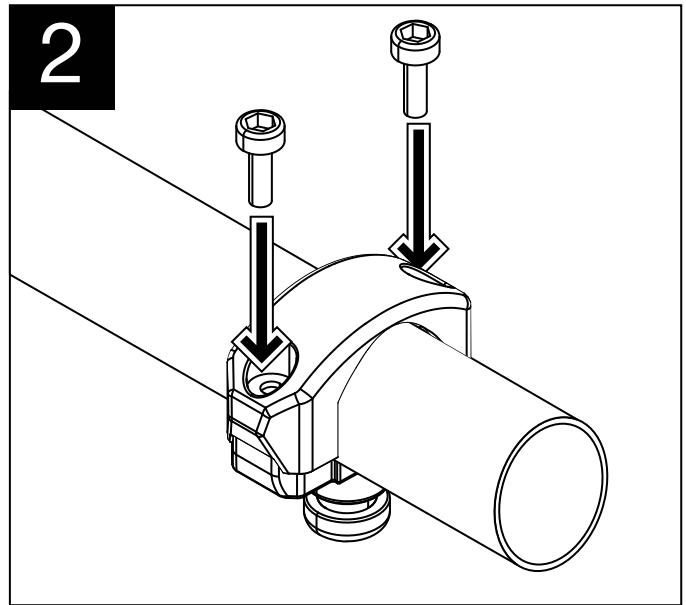
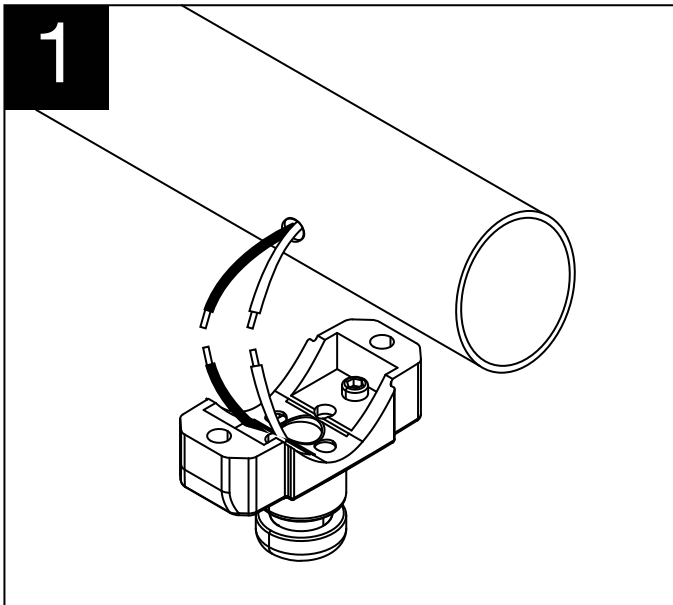
CLAMP TO TOWER FIT: 1 7/8" TO 2 3/4"

DIRECT CAST TOWER MOUNT APPROVED BOATS: MALIBU, ILLUSION X, XS, TIGÉ ALPHA TOWER, AND CENTURION (LOW PROFILE MOUNT)

U.S. PATENT # 6,798,892 B2

**FEATURES: SWITCHFIRE USER ADJUSTABLE CROSSOVER TUNING
INJECTION MOLDED POLYPROPYLENE CONE
WEATHER PROOF RUBBER SURROUND
UNI-MOUNT CHASSIS ASSEMBLY
ADJUSTABLE COMPOSITE GRILLS.**

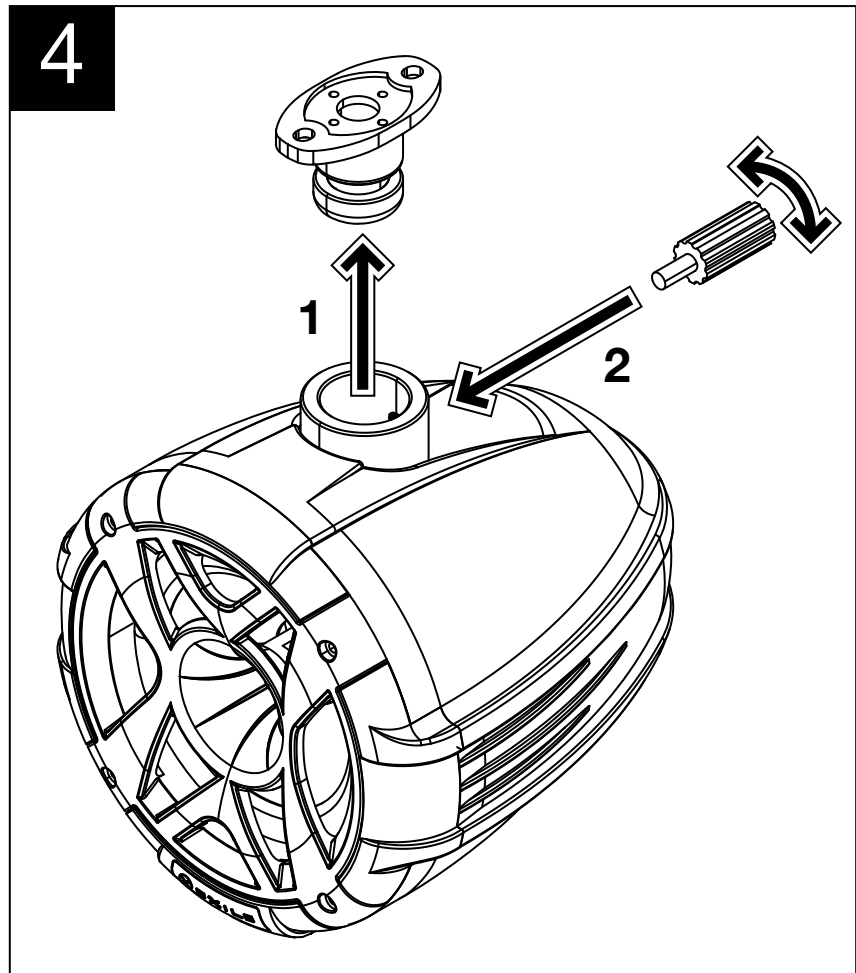
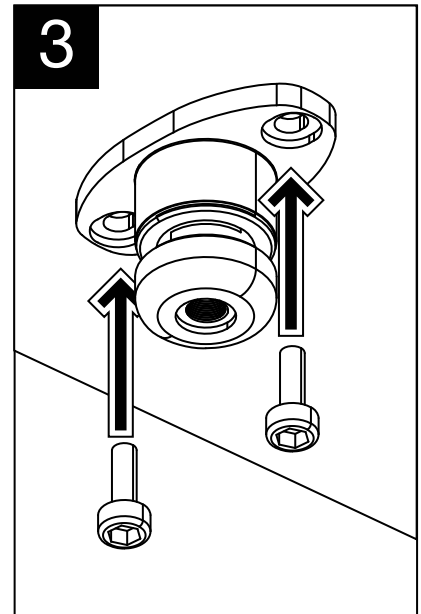
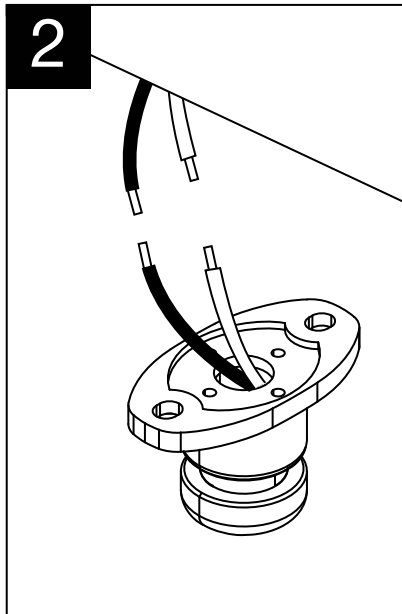
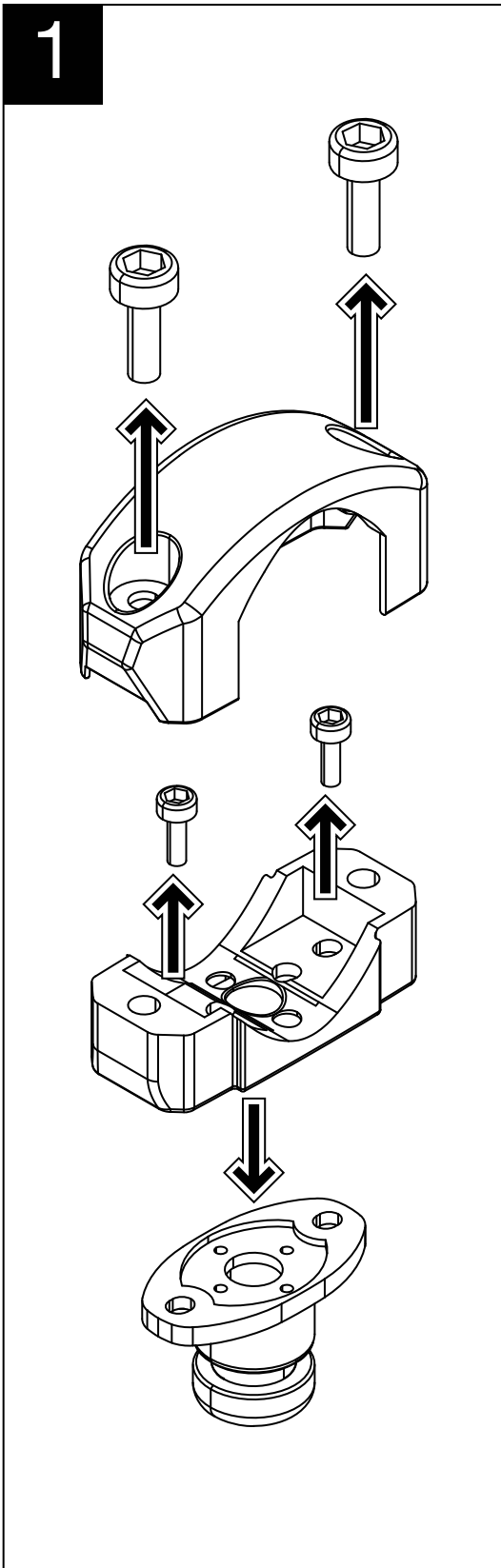
TUBE TOWER INSTALLATION GUIDE



"BRACKET MAINTENANCE AND LUBRICATION:

Male and Female mounting posts come pre-lubricated from the factory. However, over a long period of time you may need to reapply a thin coat of Vaseline® to ensure smooth rotation and installation.

CAST TOWER INSTALLATION GUIDE





SAMSON SPORTS
CAMAS, WA USA
WWW.SAMSONSPORTS.COM

DESIGNED AND ENGINEERED IN THE USA