

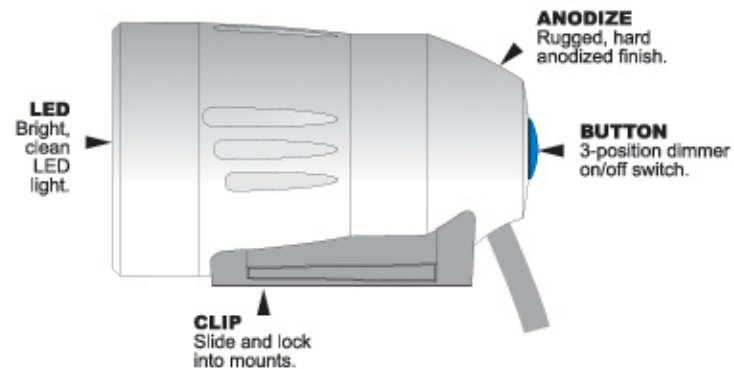
BAKES

LED Tower Lights

IMPORTANT INFORMATION:

Press the blue button on the back of the light to switch between three brightness levels (High > Medium > Low.)

Hold the blue button down to turn the light off. When turned back on, it will remember the brightness level setting.



Mounting Overview:

If there is enough power available, Trail Tech lights can be run in addition to stock lights. Some vehicles require HID lights to run on a separate circuit, because enough power is not produced to run all the lights simultaneously.

Trail Tech LED lights run on 12V DC electrical power. Trail Tech lights also have a polarity requirement; the red lead must go to the positive(+) battery terminal or lead, and the black lead must go to the negative(-) battery terminal or ground. Backwards wiring will not harm the light, but will cause it to not turn on.

SPECIFICATIONS:

- | | |
|-----------------------|--|
| • Brightness Modes: | Button Selectable: High > Medium > Low |
| • Power Draw: | 12W / 6W / 3W |
| • Run Time (6600mAh): | 6h / 12h / 24h |
| • Lumens: | 800 lm |
| • Housing Material: | Rugged Billet Aluminum |
| • Size: | 46x82mm (1.8x3.2") |
| • Weight: | 167g (5.9 oz.) |
| • Front Lens: | Hardened Glass |
| • Sport Protection: | Rubberized Vibration Isolation |
| • Beam Color: | 6300K |
| • Beam Angle: | 15° |
| • Power Requirement: | 12V DC, Polarity Protected |
| • Lifespan: | 5 Years |
| • Warranty: | 1 Year |